



MR-52

TWO-READER I/O MODULE

Part of the DVTEL family of products!

MR-52 will interface two card readers, eight general purpose input monitor points and six control relays to an Access Control and Security Monitoring System through an LNA (DVTEL's Intelligent Control Panel).

The MR-52's two reader ports support magnetic, wiegand, and proximity readers. Keypads and integrated keypad readers are also supported. Hardware interface and card format settings are loaded through software commands.

The inputs and the relays may be assigned to door related functions or to general purpose I/O. The inputs support normally open, normally closed, supervised, and non-supervised circuits. End-of-line (EOL) resistance values are configurable. The relays can be configured for fail safe or fail secure operation.

The MR-52 passes access request and status change information to the LNA for processing. When not connected to an LNA, the MR-52 is capable of locally processing access requests based on facility code verification. Up to eight facility codes may be active in each MR-52.

- **12 V AC/DC operation**
- **2-wire or 4-wire RS-485 communication**
- **Two reader ports**
- **Magnetic/Wiegand/Proximity & Keypad**
- **Eight programmable inputs**
- **Six programmable relay outputs**

Simply Advanced!

Unmatched power, flexibility, and economy make the DVTEL product family the clear choice for integrators and developers of Access and Security Systems.



MR-52 Two-Reader Input/Output Module

Technical Specifications

ELECTRICAL

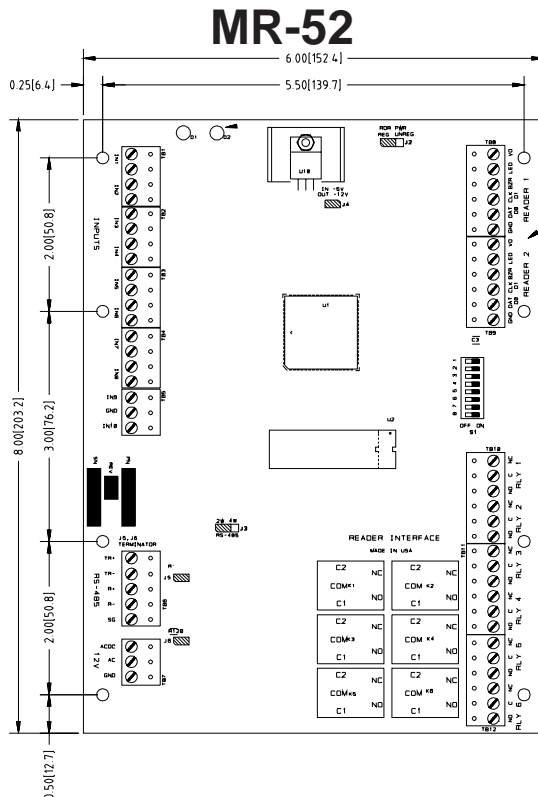
Primary Power	12 VDC +/- 15%, 350 mA 12 VAC +/- 15%, 600 mA RMS
Communication	RS-485, 2-wire/4-wire, 4,000' (twisted pair w. shield, Belden 9541/9542)
Reader Ports	2 Reader Ports
Power	Regulated +5 or +12 VDC at 70 mA
Card	Two wires: Clock/Data or Data-1/Data-0
Keypad	Multiplexed with card data
LED	Two-wire, or one-wire bi-color LED support
Buzzer	Only with 'one-wire' LED
Inputs	8 General purpose: programmable circuit type 2 Dedicated: Tamper and Power Monitor
Outputs	6 Relays: Form-C, 5 Amp 30 VDC

MECHANICAL

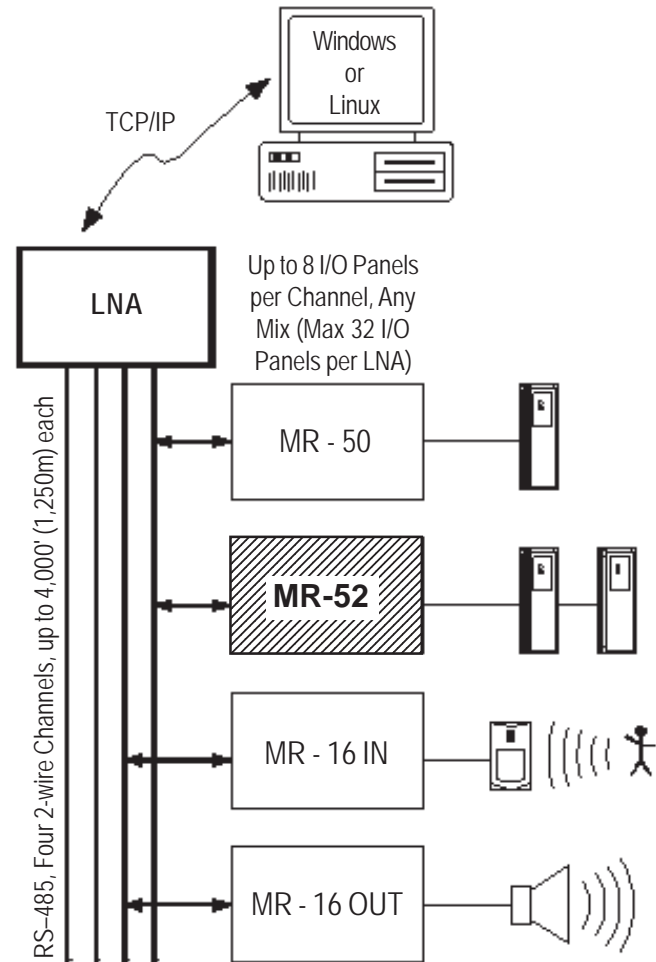
Dimensions	6.0' W x 8.0' L x 1.0' H, (152mm W x 203mm L x 25mm H)
------------	---

ENVIRONMENTAL

Temperature	0—70 °C operational, -55—85 °C storage
Humidity	0 to 95% RHNC



The DVTEL Product Family



The information within this document is subject to change without notice.



65 Challenger Road
Ridgefield Park, NJ 07660
Tel: (201) 368-9700 • Fax: (201) 368-2615
www.dvtel.com