



# MR-50

## SINGLE-READER I/O MODULE

### *Part of the DVTel family of products!*

MR-50 will interface one card reader, two general purpose input monitor points and two control relays to an Access Control and Security Monitoring System through an LNA (DVTel's Intelligent Control Panel).

The MR-50's reader port supports magnetic, wiegand, and proximity readers. Keypads and integrated keypad readers are also supported. Hardware interface and card format settings are loaded through software commands.

The inputs and the relays may be assigned to door related functions or to general purpose I/O. The inputs support normally open, normally closed, supervised, and non-supervised circuits. End-of-line (EOL) resistance values are configurable. The relays can be configured for fail safe or fail secure operation.

The MR-50 passes access request and status change information to the LNA for processing. When not connected to an LNA, the MR-50 is capable of locally processing access requests based on facility code verification. Up to eight facility codes may be active in each MR-50.

- **12 VDC operation**
- **2-wire RS-485 communication**
- **Magnetic/Wiegand/Proximity & Keypad**
- **Two programmable inputs**
- **Two programmable relay outputs**
- **Small size - 2.75' x 3.25' (75mm x 85mm)**

## Simply Advanced!

Unmatched power, flexibility, and economy make the DVTel product family the clear choice for integrators and developers of Access and Security Systems.



# MR-50 Single-Reader Input/Output Module

## Technical Specifications

### ELECTRICAL

Primary Power	12 VDC +/- 15%, 250 mA
Communication	RS-485, 2-wire, 4,000' (twisted pair w. shield, Belden 9541)
Reader Port	
Power	Current limited, +12 VDC, 40 mA load, nominal
Card	Two wires: Clock/Data or Data-1/Data-0
Keypad	Multiplexed with card data
LED	Two-wire, or one-wire bi-color LED support
Buzzer	Only with 'one-wire' LED
Inputs	2 General purpose: programmable circuit type 1 Dedicated: Tamper
Outputs	Relay 1: Form-C, 5 Amp 30 VDC Relay 2: Form-C, 1 Amp 30 VDC

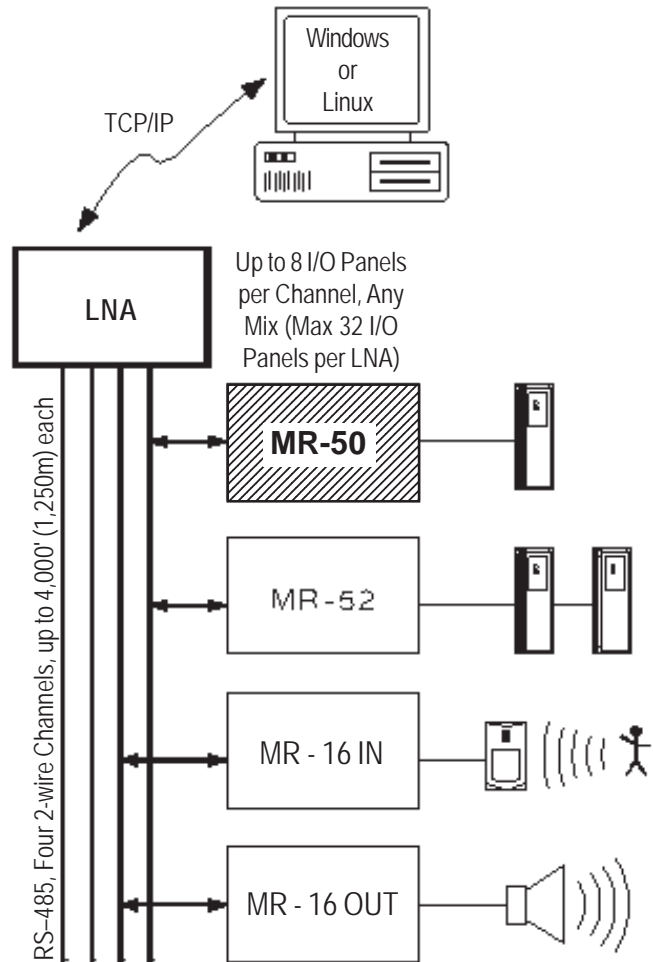
### MECHANICAL

Dimensions	2.75' W x 4.25' L x 1.4' H, (70mm W x 108mm L x 36mm H)
------------	--

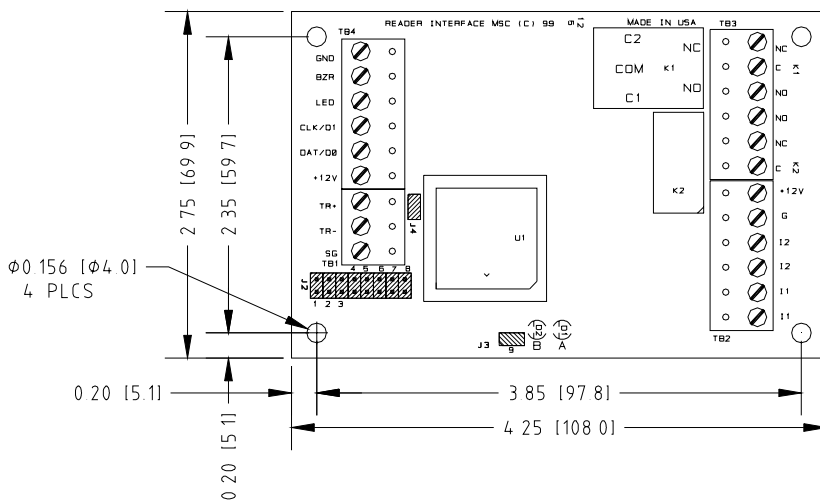
### ENVIRONMENTAL

Temperature	0—70 °C operational, -55—85 °C storage
Humidity	0 to 95% RHNC

## The DVTel Product Family



## MR-50



65 Challenger Road  
Ridgefield Park, NJ 07660  
Tel: (201) 368-9700 • Fax: (201) 368-2615  
www.dvtel.com