

MR-16OUT

16-RELAY OUTPUT MODULE

Part of the DVTEL family of products!

MR-16OUT will interface sixteen output control relays to an Access Control and Security Monitoring System through an LNA (DVTEL's Intelligent Control Panel).

Relays are often used for status annunciation and for general facility control, such as lighting, heating/cooling, door and elevator control. Relay operation may be initiated by direct operator commands, by time schedules, or by event-based procedures.

The relays can be configured for fail safe or fail secure operation. The relays support "On", "Off", "Pulse", and "Repeating Pulse" commands. A pulse may range from .1 second to over 24 hours.

- **12 V AC/DC operation**
- **2-wire or 4-wire RS-485 communication**
- **16 programmable relay outputs**
- **Relay contacts: 5 Amp @ 30 VDC, Form-C**
- **Dedicated cabinet tamper and power monitor inputs**

Simply Advanced!

Unmatched power, flexibility, and economy make the DVTEL product family the clear choice for integrators and developers of Access and Security Systems.



MR-16OUT 16-Relay Output Module

Technical Specifications

ELECTRICAL

Primary Power	12 VDC +/- 15%, 350 mA 12 VAC +/- 15%, 600 mA RMS
Communication	RS-485, 2-wire/4-wire, 4,000' (twisted pair w. shield, Belden 9541/9542)
Inputs	2 Dedicated: Tamper and Power Monitor
Outputs	2 Relays: Form-C, 5 Amp 30 VDC

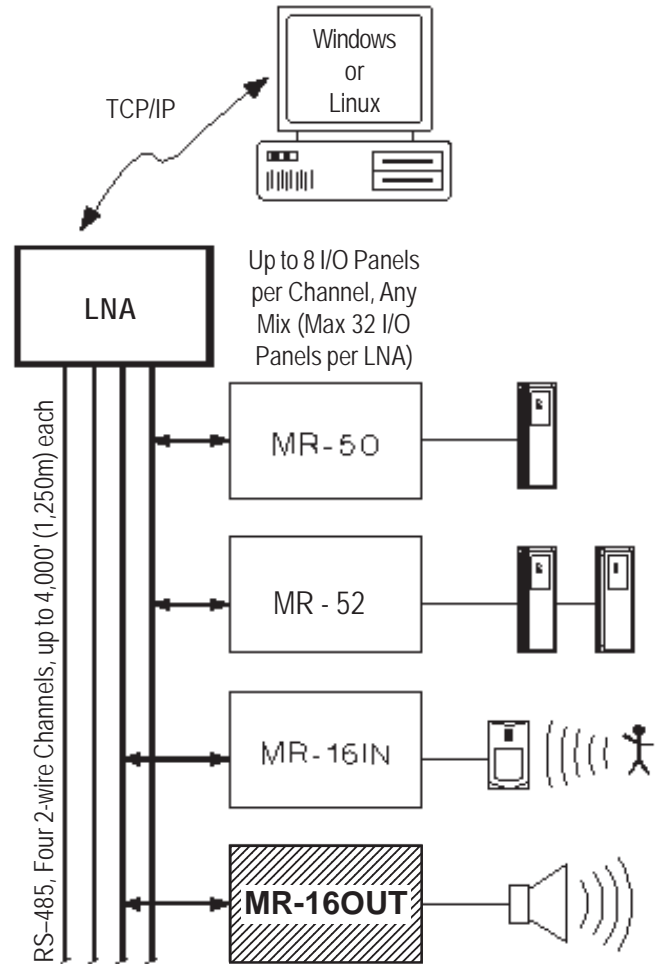
MECHANICAL

Dimensions	6.0' W x 8.0' L x 1.0' H, (152mm W x 203mm L x 25mm H)
------------	---

ENVIRONMENTAL

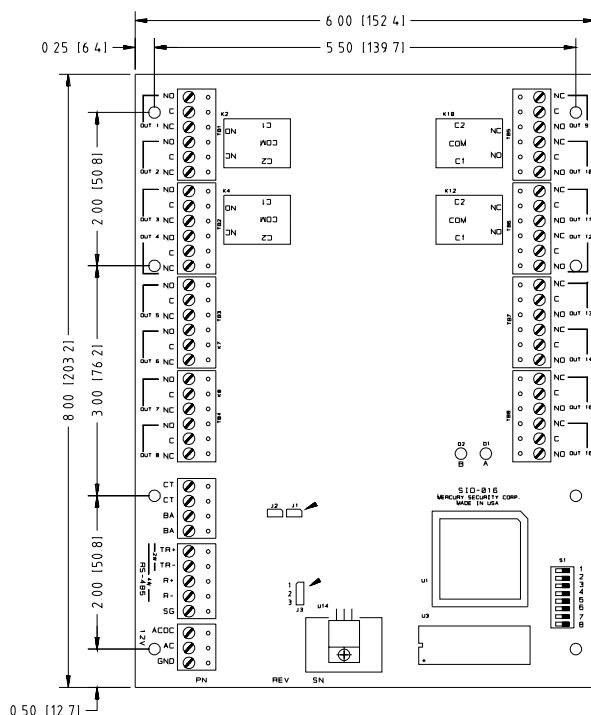
Temperature	0—70 °C operational, -55—85 °C storage
Humidity	0 to 95% RHNC

The DVTel Product Family



The information within this document is subject to change without notice.

MR-16OUT



65 Challenger Road
Ridgefield Park, NJ 07660
Tel: (201) 368-9700 • Fax: (201) 368-2615
www.dvtel.com