

MR-16IN

16-ZONE INPUT/OUTPUT MODULE

Part of the DVTel family of products!

MR-16IN will interface sixteen general purpose input monitor points and two control relays to an Access Control and Security Monitoring System through an LNA (DVTel's Intelligent Control Panel).

The inputs support normally open, normally closed, supervised, and non-supervised circuits.

The input circuits are scanned using an Analog to Digital Converter. The digitized input status data is filtered and processed. The filter parameters are configurable for each input point, resulting in the ability to specify custom End-Of-Line (EOL) resistance values, sensitivity ranges, and timing parameters.

The relays can be configured for fail safe or fail secure operation. The relays support "On", "Off", "Pulse", and "Repeating Pulse" commands. A pulse may range from .1 second to over 24 hours.

- **12 V AC/DC operation**
- **2-wire or 4-wire RS-485 communication**
- **Sixteen programmable inputs**
- **Inputs use Analog to Digital Converter technology**
- **Two programmable relay outputs**
- **Dedicated cabinet tamper and power monitor inputs**

Simply Advanced!

Unmatched power, flexibility, and economy make the DVTel product family the clear choice for integrators and developers of Access and Security Systems.



MR-16IN 16-Zone Input/Output Module

Technical Specifications

ELECTRICAL

Primary Power	12 VDC +/- 15%, 350 mA 12 VAC +/- 15%, 600 mA RMS
Communication	RS-485, 2-wire/4-wire, 4,000' (twisted pair w. shield, Belden 9541/9542)
Inputs	16 General purpose: programmable circuit type 2 Dedicated: Tamper and Power Monitor
Outputs	2 Relays: Form-C, 5 Amp 30 VDC

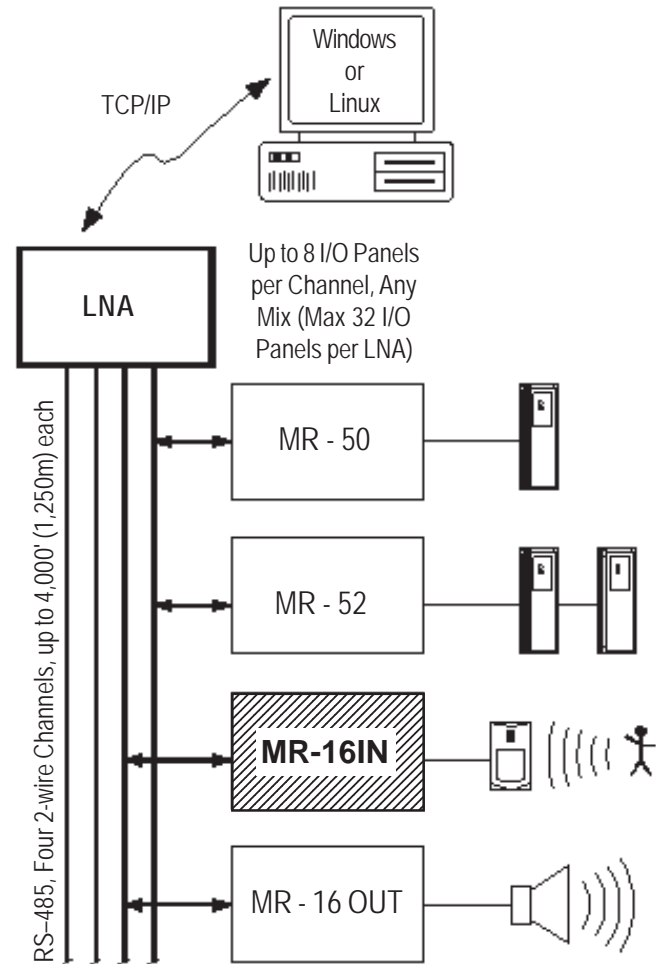
MECHANICAL

Dimensions	6.0' W x 8.0' L x 1.0' H, (152mm W x 203mm L x 25mm H)
------------	---

ENVIRONMENTAL

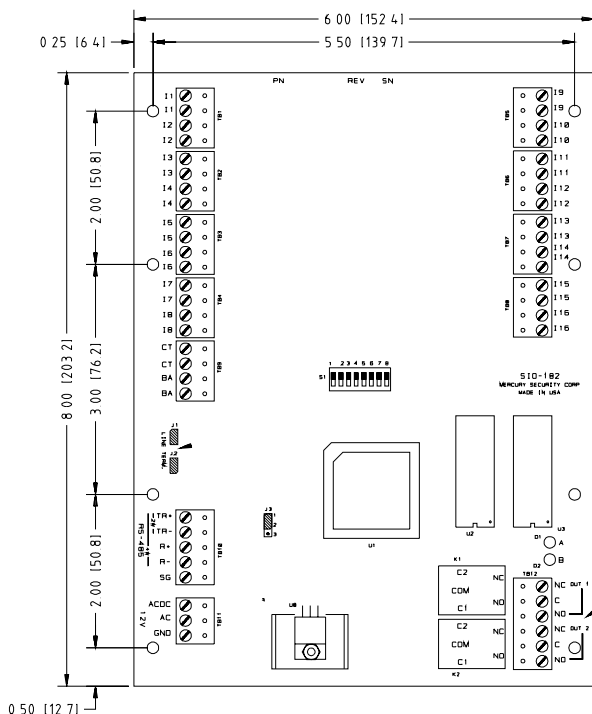
Temperature	0—70 °C operational, -55—85 °C storage
Humidity	0 to 95% RHNC

The DVTEL Product Family



The information within this document is subject to change without notice.

MR-16IN



65 Challenger Road
Ridgefield Park, NJ 07660
Tel: (201) 368-9700 • Fax: (201) 368-2615
www.dvtel.com