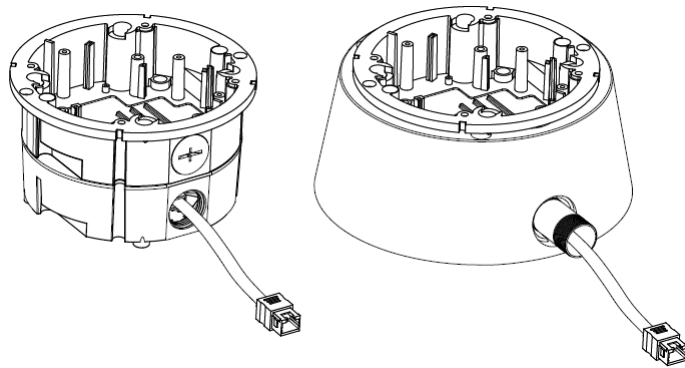


DVTel 9460A Series IP Mini-Dome Connections Quick Install Sheet

Connecting Conduit

Once the housing is installed in the surface ring the first step is to install a 3" threaded pipe nipple through the surface ring and thread this into the 3/4" opening on the side of the housing. If using the short Cat 5 jumper provided with the housing it will fit inside a 3/4" conduit.

Note: Use appropriate tape or sealant on the threads to maintain the IP rating.



Next you will need to install a Rigid to EMT fitting onto the 3" nipple
Reference item below www.bptfittings.com Part number 291-MS



Note: For outdoor installations, apply thread compound or Teflon tape (not provide) to the threads to seal the dome properly and maintain the IP rating.

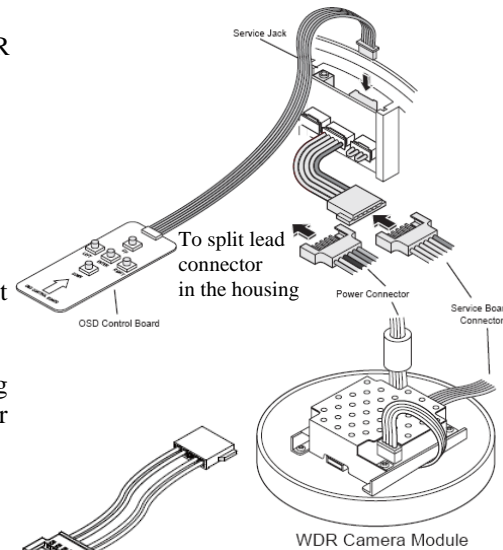
At this point you are ready to connect your conduit to the above fitting. Proceed as normal with the rest of your pipe work.

Connecting the WDR Camera

When installing the WDR camera you must first attached the white wire with a red stripe to the center connecto the service jack.
(See image to the right)

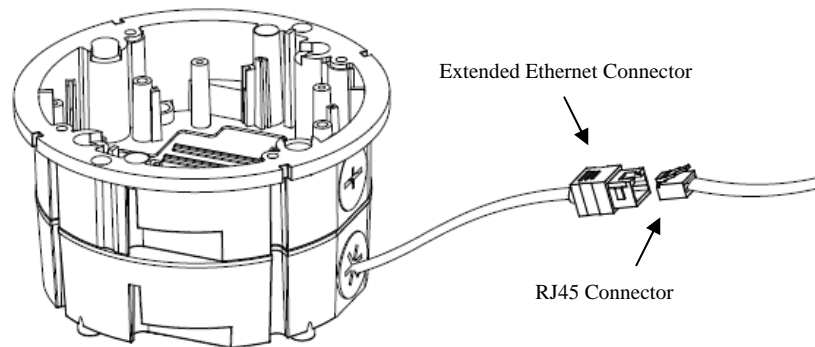
Next install the short split lead wire connector that comes with the WDR camera before connecting to the split lead connector in the housings

⚠️ NOTE: The default video standard is NTSC. If PAL video standard is required, connect the Menu Programming Interface as shown and set to PAL Video Standard under the Video I/O



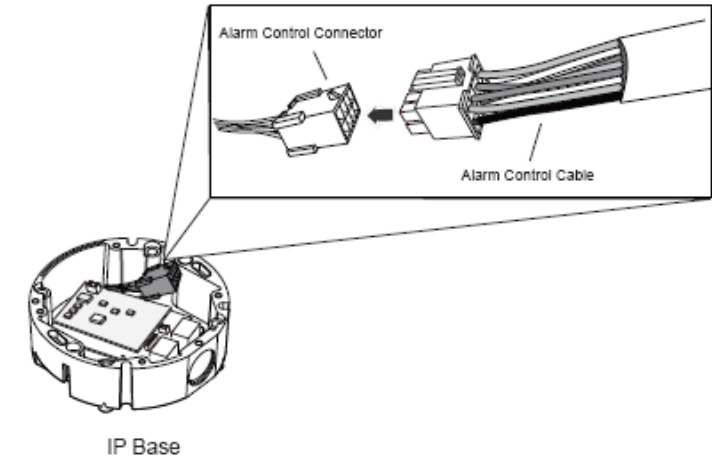
Note: The short split lead connector is only used with WDR cameras.

Connecting the Ethernet Cable



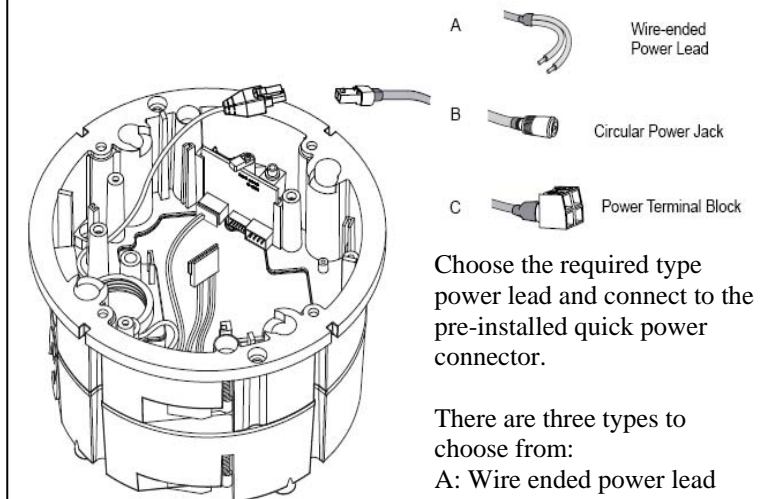
Note: The mini domes are provided with an Ethernet jumper cable for initial configuration. For a permanent installation use Shielded Cat-5 cable and snap on the EMI suppression bead provided in the accessory kit to ensure emissions compliance (FCC part 15, subpart B class A).

Connecting the Alarm Control Cable



NOTE: When connecting alarms or audio, snap on the EMI suppression bead provided in the accessory kit, over the factory installed cables to ensure emissions compliance (FCC part 15, subpart B, class A).

Installing the 12V DC Power Connector



Choose the required type power lead and connect to the pre-installed quick power connector.

There are three types to choose from:
A: Wire ended power lead
B: Circular power jack
C: Terminal block

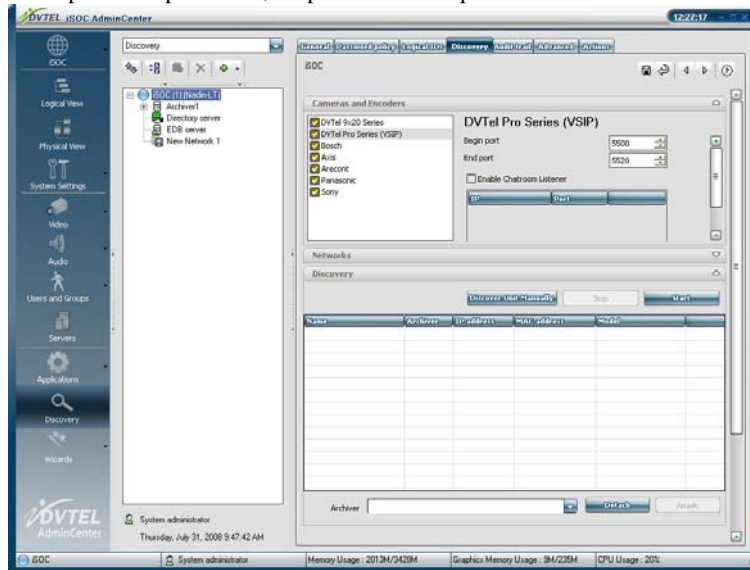
Preliminaries

This guide provides instructions for configuring an edge device, such as an encoder, decoder or IP camera, for Latitude 5.x. It assumes that the unit has been assigned an IP address that is discoverable from at least one Latitude Archiver. In other words, the unit's IP address must belong to the IP scheme defined by one of the *networks* associated with the Archiver. For information about assigning your unit an IP address, refer to the unit's technical documentation.

Note: On the 5.3.1 AdminCenter **Side Bar**, the Unified Configurator is available in the **Applications Section**. This tool provides quick access to Value Line, Pro Line and Pro Line A IP addressing tools.

A. Discovery

1. Launch AdminCenter and log in.
2. Click **Discovery** on the **Side Bar**
3. If configuring a Pro Series or Pro Series A unit whose VSIP port is outside the 5500 to 5520 range, adjust the range accordingly and save. For Value Line (9x20) units, there are no discovery ports. If using password protection, set passcode in the profile and save.

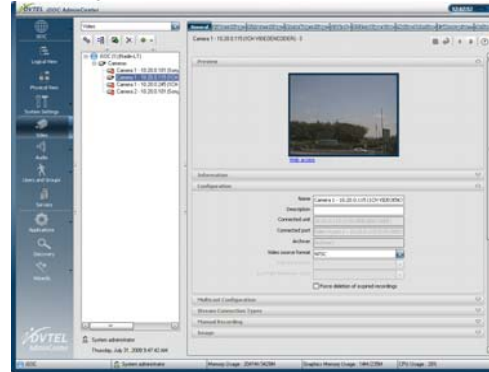


4. Click **Start** to discover all unit types checked in the Camera and Encoder window.
5. Click **Stop** when your unit appears in the discovered units list.
6. Right-click the unit(s), and select **Attach** and the Archiver to which you would like to add the unit *or* select the desired Archiver from the *Archiver* drop-down list, and then click the **Attach** button.
7. Click the **Save** button at the top of the pane to save your settings and add the unit(s) to the Archiver.

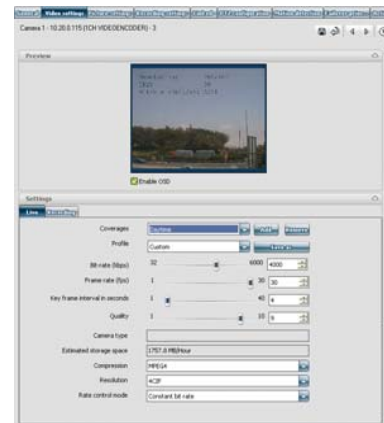
B. Camera Configuration

If your unit is an encoder or an IP camera, you will need to configure one or more cameras.

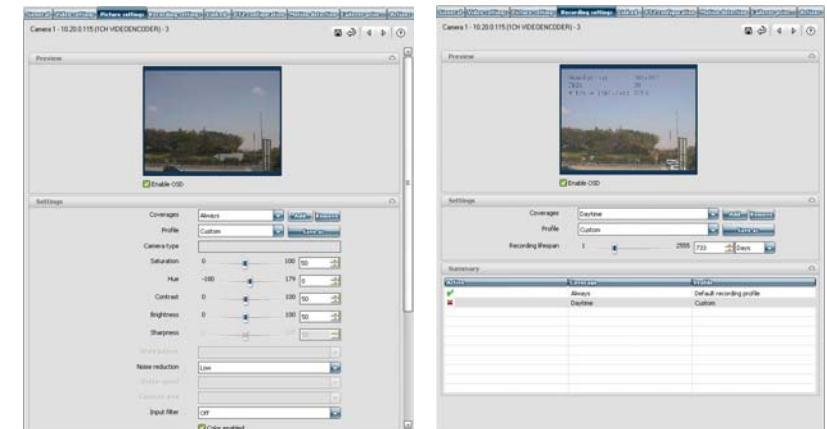
1. Click **Video** on the **Side Bar**, and then find the camera you would like to configure in the logical tree and select it.



2. In the *General* tab:
 - Give your camera a meaningful **Name**.
 - Set the **Analog format** to the correct format (**NTSC/PAL**).
 - If your network does not fully support multicast, change the **Stream connection type** settings (consult with your network administrator) in the *Multicast Configuration* pane.
 - In the *Manual Recording* pane, configure the **Recording lifespan**, which controls how long unlocked clips remain stored, and the **Recording duration**, which determines how long the camera is recorded when a user starts a manual recording session.
 - In the *Image* pane, Image Rotation and Orientation can be configured based upon the specific edge devices capabilities.
3. Select the *Video Settings* tab. Here you can add Live and Recording Video settings.



4. In the *Settings* pane, click the **Add** next to the *Coverages* drop-down list to add the desired coverage. You can create custom coverage settings.
5. You can select from either the pre-configured profiles from the *Profiles* drop-down list or create a custom profile.
6. Click the *Recording* tab of the *Settings* pane to configure the Recording Video settings. Select the desired coverage and profile or define a custom profile.
7. To configure a dual-streaming device to use only one stream, select the **Recorded quality same as live** check box. All fields of the *Recording* tab will be disabled.
8. Select the *Picture Settings* tab (see below).
9. Select the desired coverage and profile or define a custom profile.
10. Select the *Recording Settings* tab (see below) to add Recording settings.
11. Select the desired coverage and profile or define a custom profile.
12. If applicable, select the *Linked* tab to associate the camera with speakers and/or microphones.
13. Click the **Save** button to save your settings.



Picture Settings Tab

Recording Settings Tab