

# DVTel 9480A Series Megapixel Mini-Dome Quick Install Guide



The 9480A Series Mini-Dome contains the following parts

Top level part on packaging  
DVT-9480ARC-TD2

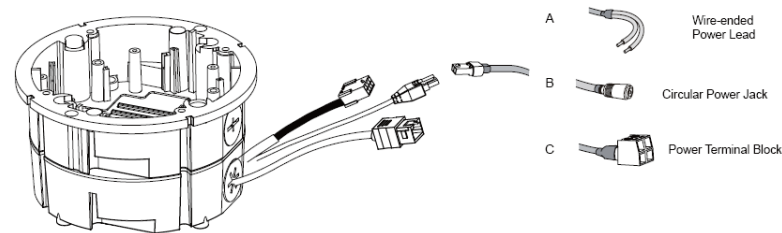
- Camera Module/Gimble assembly - (PN DVT-FDC-MP1D)
- Camera Housing – (PN DVT-VDH-MP)
- Power and alarm cables
- Rubber cable gland
- Screw packages
- Mounting template
- Installation Guides
  - IP Mini-Dome install guide
  - Connections/Latitude setup guide

All other mounting hardware must be provided by the installer. The power source options - 12VDC, 1A (UL, CE approved) or 802.3af compliant power source are sold separately or provided by the installer.

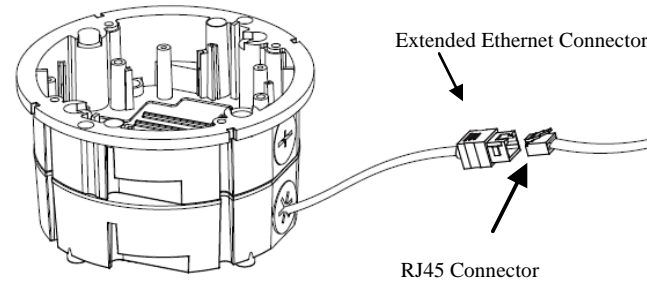
Input voltage 12VDC, 1.0A or 802.3af Class 3 PoE (48VDC) 15.4W  
Power consumption 12VDC, 8Watts, 0.7A / PoE 802.3af 9 Watts  
Unit Weight: Recessed 2.5Lbs (1.2Kg) Surface 4.5Lbs (2.0Kg)  
Operating Temperature -20deg C to 50deg C

## A. Bench Installation

1. Connect the vandal dome either to 12V DC power source or a POE switch. If connecting to a 12V DC supply use the appropriate accessory cable and plug into the power connector.

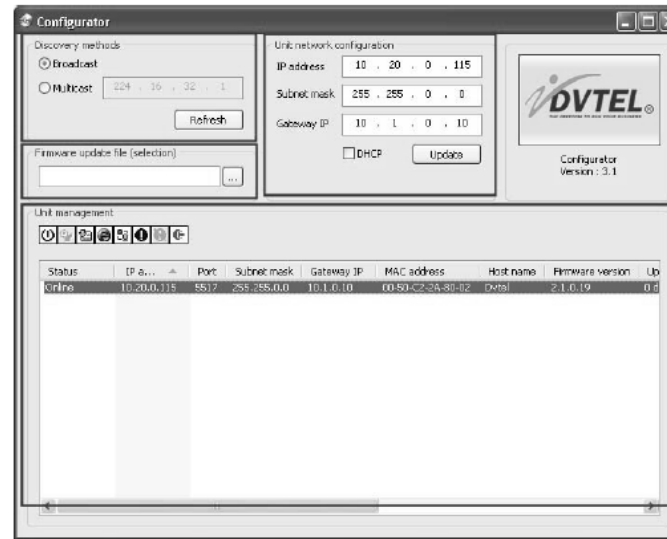


2. Connect the vandal domes RJ 45 connector to either your network (using a straight through CAT 5 cable ) or directly to a client workstation (using a crossover cable)



## B. Setting IP address

1. Launch the DVTel Device Configurator.



2. The device configurator automatically starts searching for DVTel edge devices and lists the units discovered on the IP network in the Unit Management Pane.
3. After discovering the edge device you will need to set its network configuration parameters.
4. In the unit Management Pane, select the desired edge device.
5. Under Network configuration enter the IP, Subnet and Gateway of the edge device.
6. Click Update.

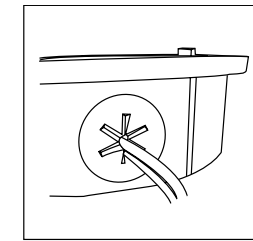
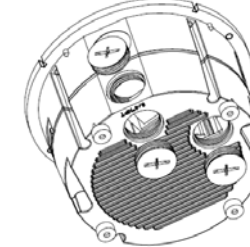
The camera will reset and the new network configuration parameters will appear in the unit management pane.

## C. Site Installation

1. Use the provided mounting template to mark out and create the necessary holes in the mounting surface

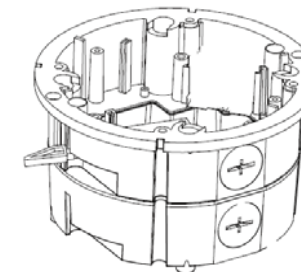
Mount Type	Instructions
Surface	Create four holes at the template position marked (T1). (Use four No12 ) fixing screws and wall plugs. For addition support there are 3 more mounting holes in the surface ring (T4) that may also be used.
Recessed	Creature an aperture in the mounting surface to a diameter of 139mm as indicated by the (T2) circle.

2. Decide which entry point in the housing will be used to route wires and remove the appropriate conduit plug. If installing in an interior location and conduit will not be used, be sure to install a rubber cable gland in the opening before passing the wires through the opening.

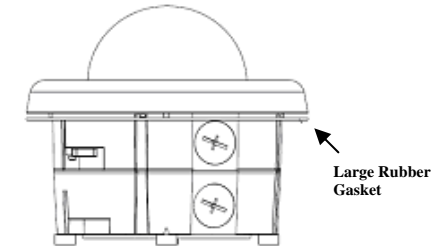


3. Mount the camera using one of the following methods:

### Recess mount using fold out wings



Turn silver-colored screws clockwise to first extend the locking arms and then tighten them against the mounting surface. Tighten the screws sufficiently to compress the o-ring moisture seals located underneath the screwheads, however: DO NOT OVERTIGHTEN



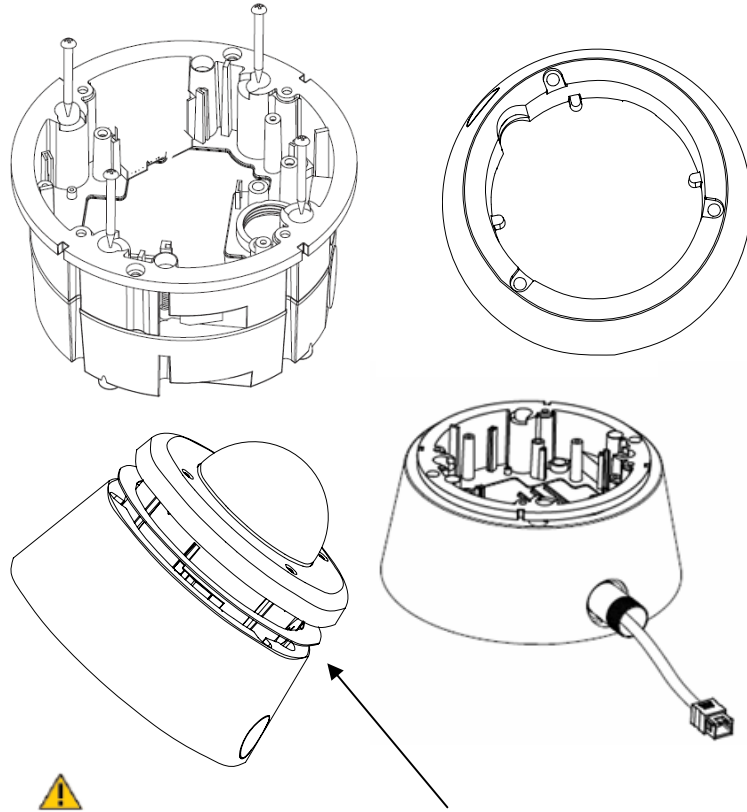
**Note:** For outdoor installations or wet environments always install the large rubber gasket to seal the dome properly to maintain the IP rating.

If mounting in a drop ceiling a backer plate may be needed depending on the integrity of the ceiling tile. You could also attach a pipe hanger to the tapped hole in the bottom of the housing for additional support.

# DVTel 9480A Series Megapixel Mini-Dome Quick Install Guide

## Surface Mount

You have two options when using the surface ring, it either needs to be mounted before the base is installed (only required if using the 3 addition mounting locations on the surface ring) or you insert the dome housing into the surface ring before mounting with the 4 screw locations shown below.



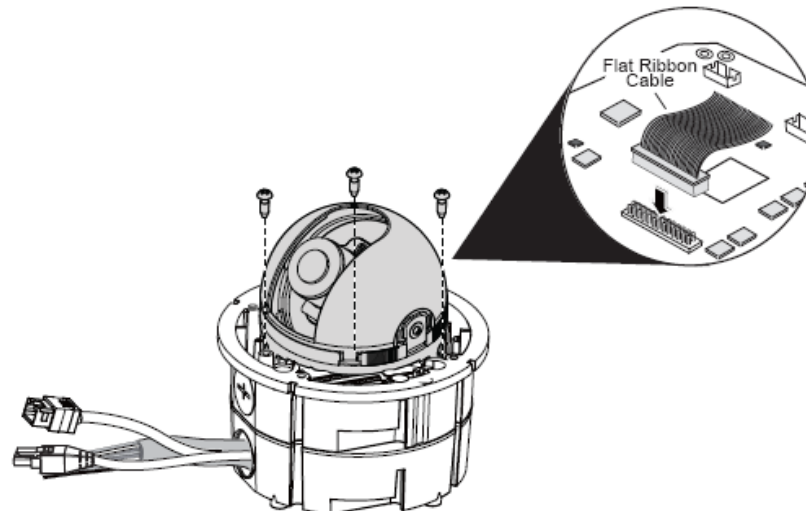
5. When mounting make sure you install the large rubber gasket between the housing and the surface ring or if recessed mounting between the housing and mounting surface.
6. Insert the network cable and optional power cable through one of the conduit entry points and connect them to the dome as described under bench installation.
7. If running conduit to the unit you will need to install a 3" threaded pipe nipple through the surface ring and thread this into the housing. Use appropriate sealing agent on the connection to maintain the IP rating of the housing.

8. If applicable, connect the audio and alarm inputs/outputs to the 8 wire cable located in the lower part of the housing. Refer to the following table to determine which wires correspond to the inputs outputs relevant to your installation.

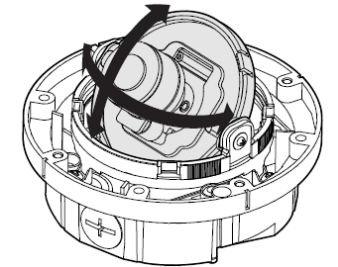
Wire Color	Description	Direction Comment
Brown	Alarm Input 1	
Orange	Audio Input	-46 to -3dBV into 30 KOhm
Green/White	Alarm Ground	
Orange /White	Audio Ground	
Brown/White	Alarm Input 2	
Green	Audio Output	-46 to -3dBV into 16 Ohms Minimum
Blue	Alarm Output(*)	Output 60V AC/DC at 500 mA max
Blue/White	Alarm Output(*)	Output 60V AC/DC at 500 mA max

## D. Camera Installation

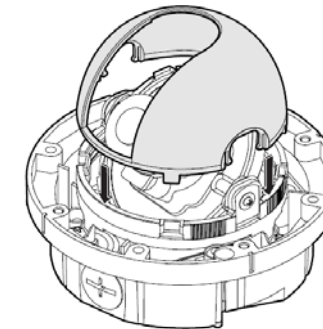
1. The MP camera is factory installed. If it is necessary to remove the camera assembly at any time, first remove the camera liner then proceed to remove the 26 pin flat ribbon cable from the back of the camera. After removing the cable from the back of the camera the gimble assembly can be removed by loosening the 3 screws shown below.



2. Once you have the gimble secured to the housing, position the camera at the desired angle by rotating the gimble. To view the video connect via the cameras web browser interface or with your system software via a PC.



3. Use the lens top lever to adjust focus (A1) and the bottom lever to adjust the field of view (A2)
4. Once the focus and field of view are adjusted, fit the liner onto the camera



**Tip:** Perform the final focus through the lids bubble by holding it up to the lens reversed to confirm final results.

5. Fit the lid onto the housing by lining up the four notches as shown below. Use the provided torx driver to secure the four lid screws to the housing.

## Bottom view of lid

