

Contents

Kit contains the following parts:

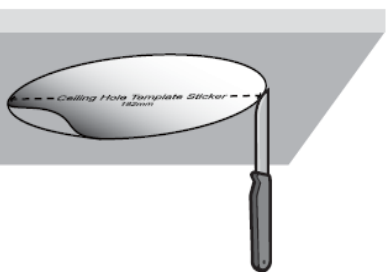
Installation Kit
Installation Template
Installation Wizard and Manuals
Installation Guide

9420 Camera
(supplied with 9420 Camera)
Screw Driver (not provided)

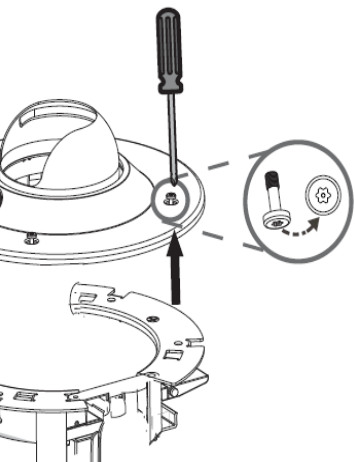
Preparation for Installation

1. Position the Ceiling Hole Template in the desired position.

2. Mark in Ceiling Tile

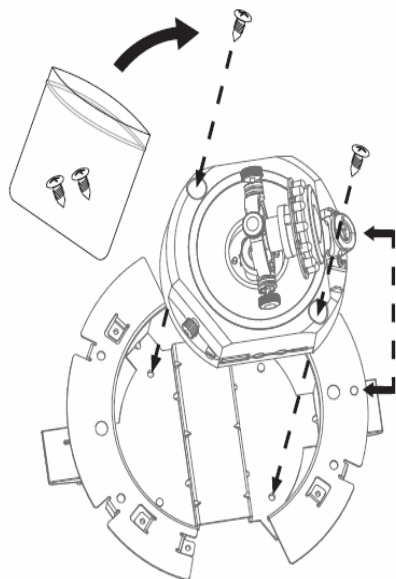


3. Remove the Kit and prepare to Install 9420 into Recessed Kit
Bubble from base (note screws are captive)

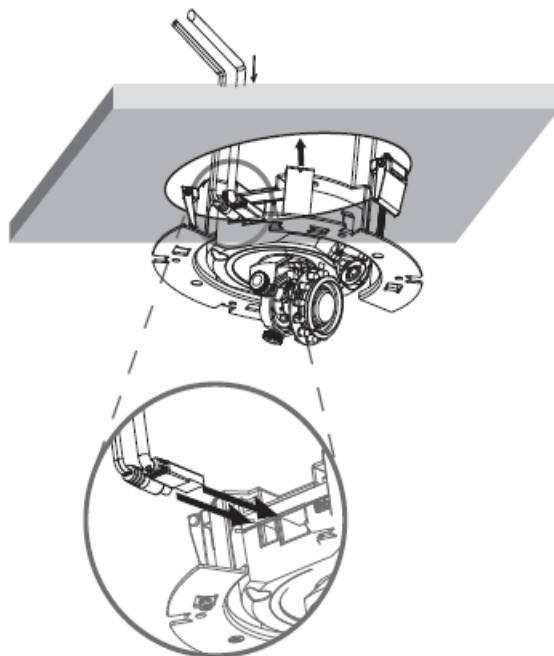


B. Installation

1. Install 9420 Camera into recessed kit with screws provided

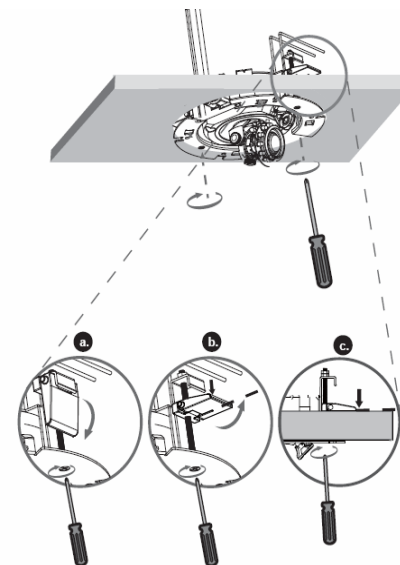


2. Pull wires (Ethernet, etc) through hole in Ceiling Tile and connect to camera. Loosen Fold Down wings and push recessed kit through hole in ceiling tile.

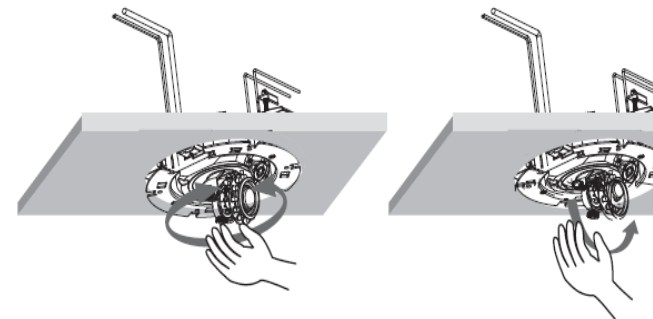


B. Installation- Cont.

3. Position the kit in the hole so that the unit is oriented
Tighten Wings to secure kit in ceiling tile.



4. Position Camera, Zoom and focus lens as necessary.



5. Install bubble to complete the installation.

